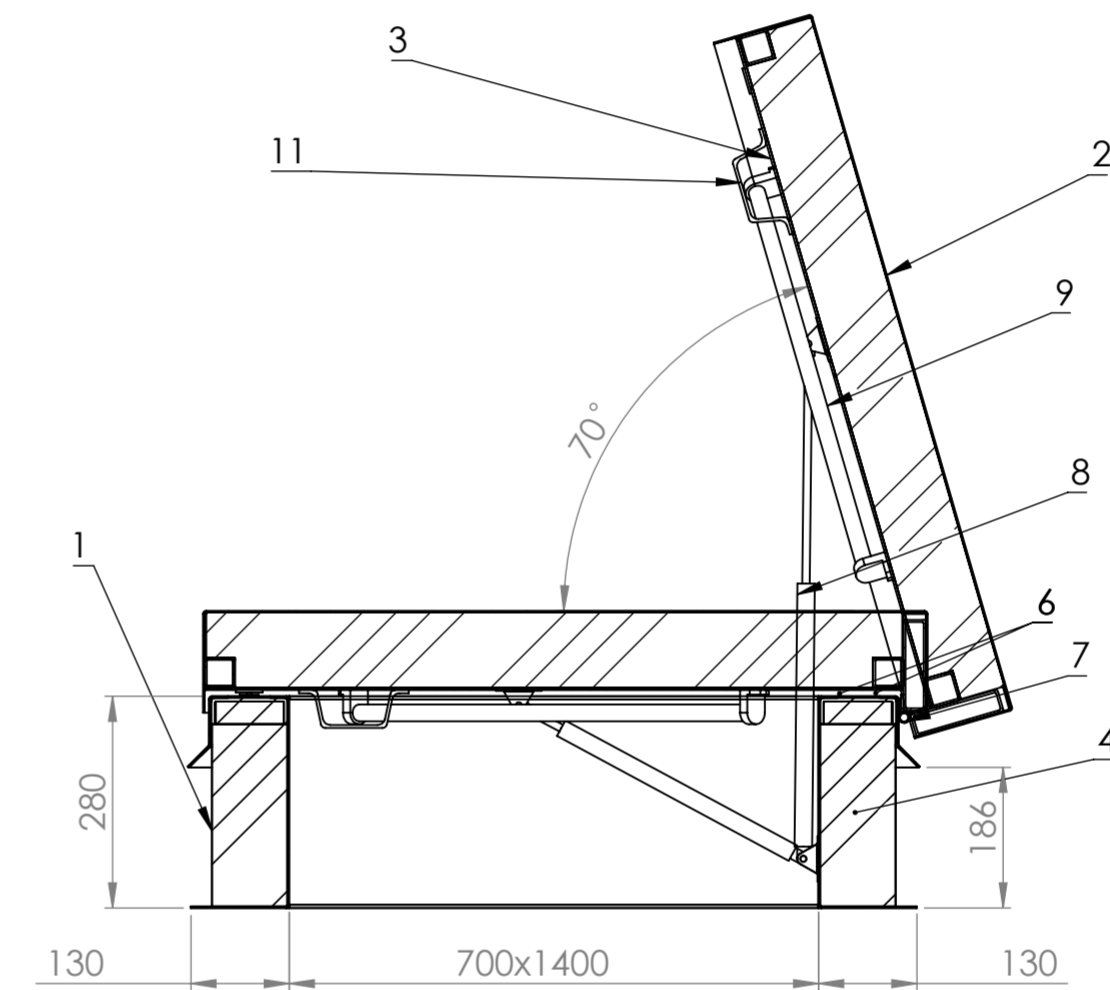
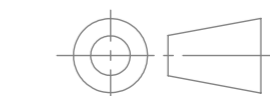


Type Storax Dakluik 70/140 (700 x 1400 mm / Openingshoek 70°)

Specificatie:

- 1 Thermisch onderbroken opstand met geïntegreerde waterslag in RAL 7047
- 2 Deksel met thermische onderbreking, Buitenzijde RAL 7047
- 3 Kunststof afdekplaat in RAL 9010
- 4 PIR Isolatie tegen de opstand RC 5,0 m² K/W
- 5 PIR isolatie in het deksel RC 5,0 m² K/W
- 6 Afdichtingsrubber D-profiel rondom
- 7 RVS 316 Scharnieren
- 8 Gasveer met openstandvergrendeling
- 9 Aluminium handrail met kunststof houders
- 10 Europrofielcilinder
- 11 Zwart kunststof handgreep



STORAX	Drawn by	Name	Date	Project:															
	Appr. By			Title:															
	Checked by			Storax Dakluik 700x1400															
	UNLESS OTHERWISE SPECIFIED DIMENSIONS ARE IN MM																		
<table border="1" style="width: 100%; border-collapse: collapse;"> <tr> <td>angle</td> <td>0.5 T/M 6</td> <td>6 T/M 30</td> <td>30 T/M 120</td> <td>120 T/M 400</td> </tr> <tr> <td></td> <td>±0.2</td> <td>±0.1</td> <td>±0.2</td> <td>±0.3</td> </tr> <tr> <td></td> <td></td> <td></td> <td></td> <td>±0.5</td> </tr> </table>				angle	0.5 T/M 6	6 T/M 30	30 T/M 120	120 T/M 400		±0.2	±0.1	±0.2	±0.3					±0.5	Sheet size: Drawing nr. Rev.
angle	0.5 T/M 6	6 T/M 30	30 T/M 120	120 T/M 400															
	±0.2	±0.1	±0.2	±0.3															
				±0.5															
PROPRIETARY AND CONFIDENTIAL THE INFORMATION CONTAINED IN THIS DRAWING IS THE SOLE PROPERTY OF STORAX. ANY REPRODUCTION IN PART OR AS A WHOLE WITHOUT THE WRITTEN PERMISSION OF STORAX IS PROHIBITED.				A2 scale: 1:10 thickness:															
 THIRD ANGLE PROJECTION				Material: Material <not specified> weight: 64046.91gr Sheet 3/3															